

Service Kit for ProDevice MMd360+ manual media destroyer

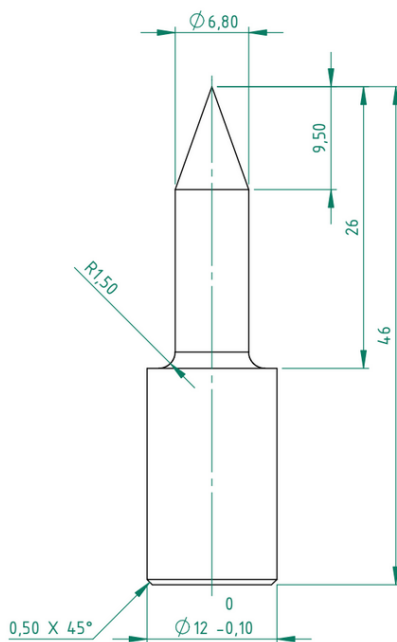
The service kit is a replacement kit which includes 1 long pin and 2 short pins for ProDevice manual media destroyer MMD360+. Both pins are used to destroy hard drives and server drives of various thicknesses.

The service kit is not a product of its own and it shall be used in combination with the MMD360+.

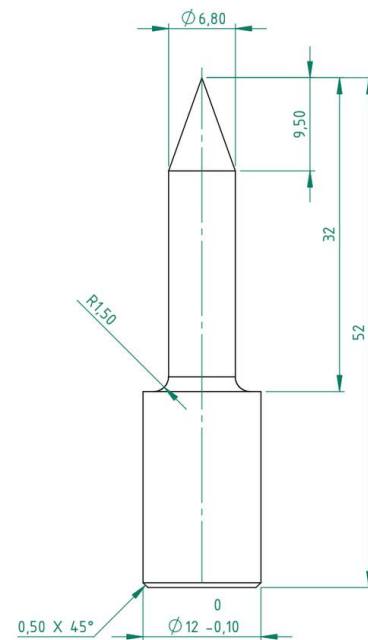


CYBERSECURITY™
MADE IN EUROPE

**MADE IN
POLAND**



SHORT PIN



LONG PIN

TECHNICAL SPECIFICATION

	SHORT PIN	LONG PIN
Lenght	46 mm	52 mm
Weight	23 g	25 g
Material	Hardened tool steel	Hardened tool steel

