



INSTRUCTION MANUAL

ProDevice OMS500 Shredder

V.OMS500.2025.1.EN

CONTENTS

1. Features	04
2. Packaging removal	04
3. Overview	05
4. Operation	08
5. Instruction video	09
6. Destruction of storage media	10
7. Safety precautions	11
8. Maintenance	13
9. Possible faults and ways to fix them	14

Thank you for purchasing the ProDevice OMS500 – the medium office media shredder for physical destruction / disintegration of storage media which may include: hard disk drives (HDD) and solid state drives (SSD), magnetic tapes, mobile phones and tablets (with the battery packs removed), floppy disks, and more.

This user manual is integral to the shredder. Read and understand the manual before operating the shredder. Keep the manual for future reference. The company DISKUS Polska sp. z o. o., as the manufacturer is not responsible for the partial or total failure to comply with this manual.

Strictly follow the operating guidance specified in the user manual. Any deviation from it is against the intended use of the shredder. The manufacturer will not be liable for any damage caused by non-intended use of the shredder.

Never attempt to modify the shredder. The manufacturer will not be liable for the performance or operating safety if the device is modified.

The manufacturer reserves the right to introduce changes to the design of devices, deemed necessary by the manufacturer to improve them.



Refer to Instruction manual.



Wear eye protection.



Not for server hard disks.



Do not put hands inside.

1. FEATURES

- ProDevice OMS500 shredder
- Set of keys for the key switch
- Plastic container for shredded data carriers
- Pendrive with manual instructions

2. PACKAGING REMOVAL

The shredder is delivered to the buyer on a pallet in a box. The weight of the shredder requires a pallet truck or a forklift to remove it from the pallet. Carefully remove all packaging materials and verify that the contents are. Having removed the packaging materials, immediately inspect the shredder for any evidence of damage in transport (in the carrier presence). If the shredder or any of its dedicated accessories are damaged, report this to the shipment forwarder and the manufacturer.

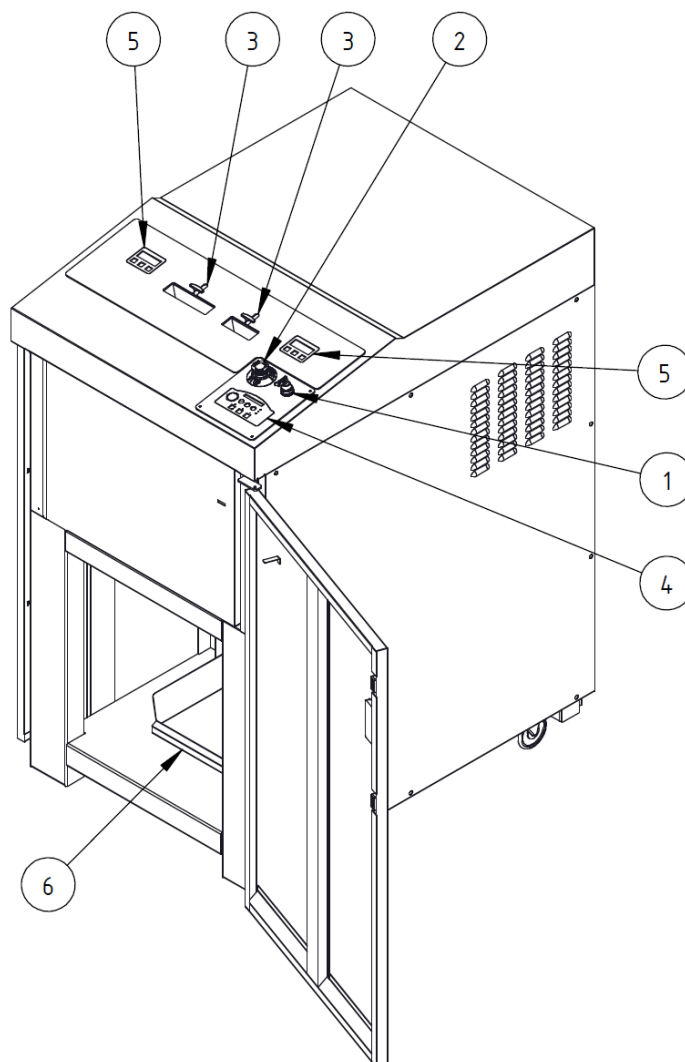
With all packaging materials removed, place the shredder on a firm surface at the designated, sheltered installation site. Secure the shredder in position to prevent movement.

It is recommended to apply oil to the cutting blades before every use to extend the life span of the cutting blades greatly.

3. OVERVIEW

3D view

1. Key switch.
2. Emergency stop.
3. Media input.
4. Operator control panel.
5. LCD counter.
6. Shredded scrap bin compartment.
7. OVERLOAD circuit breaker (in the housing on the left side of the device).



Operator control panel



1. **KEY SWITCH:** switches the shredder on/off.
2. **EMERGENCY STOP:** stops all shredder components.
3. **START BUTTON:** starts the shredder.
4. **STOP BUTTON:** stops the shredder while running.
5. **REVERSE BUTTON:** switches over the sense of rotation of the shredding blades.
6. **RUNNING INDICATOR:** the word "RUNNING" lights up during operation.
7. **CLEANING ICON:** lights up when the cutting blades cleaning function is activated – after pressing the **REVERSE** button for 6 seconds.
8. **DOOR OPEN ICON:** lights up when the door of the waste bin or media compartment is open.
9. **FULL ICON:** lights up when the shredded scrap bin is full.
10. **OVERLOAD BAR:** displays the current engine load while running.

Destroyed media counter



1. **COUNTER:** Enables the display of an erasable counter.
2. **RESET:** when pressed for 3 seconds, resets an erasable counter.
3. **TOTAL:** enables the display of a non-resettable counter.
4. **DISPLAY:** displays the current odometer reading.

Technical specification

Power supply	230 V ~ 50 Hz
Rated current	6.5 A
Maximum current	20 A
Motor power	1.5 kW (2.0 HP)
Security level (DIN 66399)	H3/H5, E2/E4, T1/T5 (media in. 1 / media in. 2) *
Ambient temperature	5°C – 45°C (41°F – 104°F)
Ambient humidity	10% – 70% (no condensation)
Sound intensity at idle	55 dB
Dimensions	620 mm x 920 mm x 1280 mm (24.4 in x 36.2 in x 50.4 in)
Weight	473 kg (1042.8 lb)
Waste container capacity	30 l (7.9 gal)

* media input 2 is not designed to destroy 3.5" hard drives, 2.5" server hard drives, enterprise SSDs, rugged mobile phones and smartphones, LTO tapes and similar.

4. OPERATION

1. Place the shredder on a hard surface in the designated, sheltered installation area.
2. Secure the shredder against shifting by by tightening the wheel brake bolts.
3. Make sure the shredded scrap bin is in the compartment and that the compartment door is closed.
4. Open both media input compartments.
5. Extend the power cord and plug it into a power outlet.
6. Insert the key into the key switch.
7. Turn on the shredder with the key switch.
8. Start the cleaning function by holding down the REVERSE button for 6 seconds.
9. After cleaning, the shredder is ready for use. Place the storage device in the media input compartment and close it.
10. Start the shredder by pressing the START button.
11. The device starts the work in an automatic mode. To shred another media, put it in the media input.
12. The shredder will stop its work after 5 minutes. To restart it, press the START button.
13. Stop the shredder by pressing the STOP button or by opening the input media drawer.
14. Place another media in the media input drawer and press the START button to restart the device.
15. In the event of overloading the device, the work of the shredding knives will be stopped. To restart the shredder, open the OVERLOAD circuit breaker compartment in the housing on the left side of the device and lift it up. Then start the shredder operation by pressing the START button.
16. In case of pressing the EMERGENCY STOP button, the work of shredding knives will be stopped. To restart the shredder, raise the EMERGENCY STOP button to its original position, then press the START button.
17. To properly shut down the device, after the shredding cycle is complete, press the STOP button and use the key switch.
18. Disconnect the power cord from the power outlet and wind it up.

5. INSTRUCTION VIDEO

Scan the QR code to watch an official video presenting correct usage of the ProDevice OMS500 shredder.



The video is an inseparable part of this manual Instruction.

*In the new version of the machine, there's no need to spray the cutting blades with oil.

6. DESTRUCTION OF STORAGE MEDIA

The OMS500 shredder is designed to destroy data carriers that are available on the market. By placing the media in the media input, you can shred various types of media as well as media of various sizes.

A maximum of one carrier can be shredded in one cycle.

This device is not intended for 3,5" server hard drives.

If a satisfactory shredded media size is not obtained, the material must be passed through the machine again until the desired result is achieved.

The ProDevice OMS500 shredder cannot be used for continuous operation.



MANDATORY!

Wear safety glasses at all times when working with the device.



DANGER!

It is prohibited to open device housing!

Removing the housing causes risk of electric shock, injury, serious injury and / or death.



CAUTION!

The shredder can always be stopped by operating:

- The STOP button.
- The EMERGENCY STOP button.
- The KEY switch.

7. SAFETY PRECAUTIONS

Please read the operating manual before initial start-up, operation and maintenance of the machine and keep it for later use or for passing on to any subsequent users.

- Service may be performed by authorized personnel only.
- Before using the device, check if all elements are installed accordingly to the manual instructions.
- Never attempt to open and / or modify the device.
- If a malfunction is detected in the device, it must be reported immediately to the person responsible. This is important for your own safety and that of others.
- This device may be used by people with inexperience and knowledge of the equipment, if supervision or instruction regarding the use of the equipment is provided in a safe way, so that the threats were understandable. Children should not play with the device.
- Before attempting any adjustment, maintenance or inspection, always isolate the degausser from the supply voltage by unplugging the power cord from the mains and wait until the shredder cools down.
- If power is disconnected, the operator must see that the machine is disconnected (power cord disconnected and unplugged) from every point to which he has access. If this is not possible due to the design or installation of the machine, disconnect with the locking system in the disconnected position from the power supply.
- Do not store / use the device in places where it may be exposed to moisture or temperature exceeding the allowed.
- If the device will not be used for an extended period of time, disconnect the power cord from the mains.
- Disconnect the device from the local power grid during an electrical storm.
- Do not allow any liquids to enter the device.

- If you notice overheating of the device, turn off the shredder and wait 30 minutes.
- The weight of the device requires a pallet truck or a forklift to remove it from the palette.
- The device should be secured during transport with transport belts or other means ensuring mechanical stability.
- Never tamper with the shredder's blades by placing any part of the body or any foreign objects into the media input.
- Do not place any objects which might cause a risk of explosion in the feeder tray: this applies to batteries (rechargeable and non-rechargeable ones), capacitors, and pressurized containers.
- Press the EMERGENCY STOP button if there is a risk to the operator or the device.

Safe operation of the shredder requires proper connection to the electrical network, which must be performed under applicable regulations. The electric shock protection system in the shredder must comply with the standards in force at the place of destination. The shredder should be connected to the mains by a qualified specialist.

8. MAINTENANCE



CAUTION!

Improper handling of the machine can lead to an electric shock.

Disconnect the plug from the power supply before relocation, cleaning or maintenance.

Before carrying out maintenance, wait 30 seconds after disconnecting the power plug.

Mechanical and electrical maintenance may only be performed by the manufacturer's authorized service.

The device requires an inspection by an authorized service of the manufacturer at least every 10,000 work cycles.

In the event of a failure or interruption in operation due to damage to the device or any of its components, contact the authorized service of the manufacturer.

9. POSSIBLE FAULTS AND WAYS TO FIX THEM

Below are the fault descriptions and the required user responses:

Fault	Possible cause	Way to remove the fault
The device does not turn on	There is no power at the wall socket	Check that there is power in the outlet by plugging in another electrical device or by using a meter
	The plug is not properly inserted in the wall socket	Insert the plug into the wall socket correctly
The device does not turn on - socket ok	Key switch is off	Turn on the device using the key switch
	Lowered circuit breaker in the installation	Lift the fuse or, if it is damaged, replace it with a new one with the parameters recommended by the manufacturer
	The circuit breaker in the device is lowered.	Lift the OVERLOAD circuit breaker
The device does not turn on - socket, key switch ok	Damaged power cord	Replace the power cord with a new one having the same specifications. THIS OPERATION CAN ONLY BE PERFORMED BY AN ELECTRICIAN WITH VALID LICENSE!
The device does not turn on - socket, key switch, power cord ok	-	Contact service
The device does not start working	EMERGENCY STOP button pressed	Pull up the EMERGENCY STOP button
The device does not start operation - EMERGENCY STOP button ok	START button disabled	Turn on the device by pressing the START button
	Defective control panel	Contact service
	The door of the media input or waste bin is not closed The LED "Door open" is on	Close the door and try again
	Bad microswitch on media input door and / or waste bin	Contact service
Switching off the device operation while destroying the medium	Motor overload	Lift the OVERLOAD circuit breaker, press START button
"Full" LED on	Full waste bin	Empty the waste bin and put it back into the machine.
Damaged cutting knife	Operation of the device	Contact service

INTERNATIONAL HOTLINE: +48 122 919 101



CONTACT

ProDevice Spółka z ograniczoną odpowiedzialnością

ul. Kościuszki 1, 32-020 Wieliczka, Poland

tel. +48 122 919 101

e-mail: info@pro-device.com

service: support@pro-device.com

If you have an improvement idea or suggestion, write to info@pro-device.com

info@pro-device.com

www.pro-device.com

MANUFACTURER'S ADDRESS DETAILS

DISKUS Polska Spółka z ograniczoną odpowiedzialnością

ul. Kościuszki 1, 32-020 Wieliczka, Polska

service: support@pro-device.com