



## INSTRUCTION MANUAL

### ProDevice MMD360+ Destroyer

V.MMD.2024.1.EN

## CONTENTS

1. Features	04
2. Packaging removal	04
3. Overview	05
4. Operation	07
5. Instruction video	08
6. Destruction of storage media	09
7. Safety precautions	10
8. Maintenance	11

Thank you for purchasing the ProDevice MMD360+ destroyer. This device is designed for physical destruction of 2,5" and 3,5" hard disks, SSD disks, tablets and cell phones.

This user manual is integral to the destroyer. Read and understand the manual before operating the device. Keep the manual for future reference. The company Diskus Polska sp. z o. o., as the manufacturer is not responsible for the partial or total failure to comply with this manual.

Strictly follow the operating guidance specified in the user manual. Any deviation from it is against the intended use of the destroyer. The manufacturer will not be liable for any damage caused by non-intended use of the device.

Never attempt to modify the destroyer. The manufacturer will not be liable for the performance or operating safety if the device is modified.

The manufacturer reserves the right to introduce changes to the design of devices, deemed necessary by the manufacturer to improve them.



Refer to Instruction manual.



Wear eye protection.



Install the appropriate adapter.



Do not put hands inside.

## 1. FEATURES

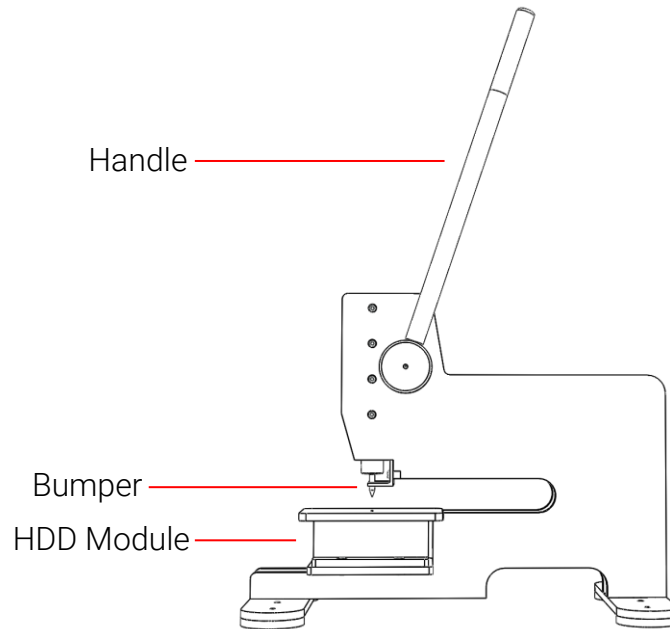
- ProDevice MMD360+ destroyer with mounted flash module.
- Handle.
- HDD module.
- Four pins for hard drives.
- Seven pins for flash media.
- Bumper for HD module.
- Two hex keys.
- Adjustable pliers.

## 2. PACKAGING REMOVAL

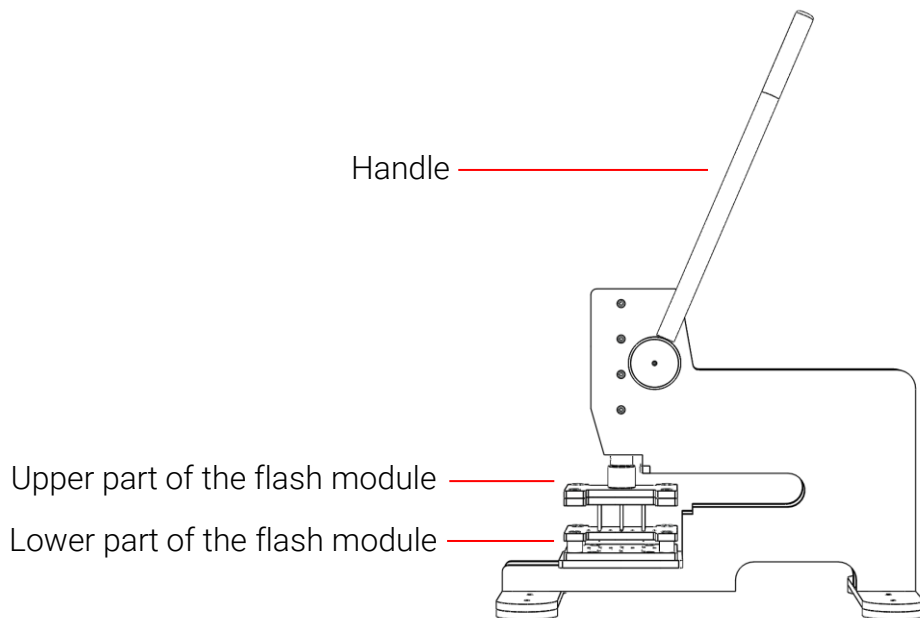
The destroyer is delivered to the buyer in a dedicated box. The weight of the device requires at least two people to remove it from the box and subsequent transport to the place of installation. Carefully remove all packaging materials and verify that the contents are complete as listed in the product features above. Having removed the packaging materials, immediately inspect the destroyer for any evidence of damage in transport (in the carrier presence). If the device or any of its dedicated accessories are damaged, report this to the shipment forwarder and the manufacturer.

With all packaging materials removed, place the destroyer on a firm surface at the designated, sheltered installation site. Secure the device in position to prevent movement.

### 3. OVERVIEW



ProDevice MMD360+ for destruction of HDD



ProDevice MMD360+ for destruction of flash media

## Technical specification

Parameter	Value
Ambient temperature	-
Ambient humidity	-
Dimensions	560 mm x 340 mm x 430 mm (22.0 in x 13.4 in x 16.9 in)
Dimensions (with a handle)	560 mm x 340 mm x 750 mm (22.0 in x 13.4 in x 29.5 in)
Weight (with a flash module)	35 kg (77.2 lb)
Weight (with a HDD module)	34 kg (75.0 lb)

## 4. OPERATION

1. Place the destroyer on a stable surface.
2. Secure the device to the ground with the screws through the holes in the legs of the destroyer.
3. Insert the handle into the hole in the drive shaft and screw it on.
4. The device is ready to destroy flash media.
5. In order to destroy HDD media it is necessary to change the destroyer module.
6. Disassemble the flash module using the instructions shown in the instruction video.
7. Install the HDD module by following the instructions in the instruction video.
8. The device is ready to destroy HDD media.
9. To destroy flash media it is necessary to change the destroyer module.
10. Remove the HDD module by following the instructions in the instruction video.
11. Install the flash module using the instructions shown in the instruction video.
12. The device is ready to destroy flash media.

## 5. INSTRUCTION VIDEO

Scan the QR code to watch an official video presenting correct usage of the ProDevice MMD360+ destroyer.



The video is an inseparable part of this manual Instruction.



## 6. DESTRUCTION OF STORAGE MEDIA

Do not try to destroy the hard disk area marked below (red). This part of the disk is made of solid steel. Each disk has a bit different structure, but you can usually destroy the remaining area of the disk.



Use appropriate adapter for your media.



**DANGER!**

Keep your hands clear from the destruction area.



**DANGER!**

Remove the battery before destroying cell phones or tablets.

## 7. SAFETY PRECAUTIONS

Please read the operating manual before initial start-up, operation and maintenance of the device and keep it for later use or for passing on to any subsequent users.

- Service may be performed by authorized personnel only.
- Before using the device, check if all elements are installed accordingly to the manual instructions.
- Never attempt to open and / or modify the device.
- If a malfunction is detected in the device, it must be reported immediately to the person responsible. This is important for your own safety and that of others.
- Do not place any objects in the shredding area that could create a risk of explosion: this applies to batteries (rechargeable and non-rechargeable), capacitors and pressure vessels.
- Use extreme caution when inserting the media into the destruction area.
- Keep your hands away from the shredding area.
- Keep clothes, hair, necklaces, bracelets etc. away from the shredding area.
- The device should be kept out of the reach of children in a safe place on a stable surface.
- Due to the weight of the device, at least two people are required to remove it from the box and transport it later to the installation site.
- The device may only be transported in the packaging or suitcase provided by the manufacturer.
- The package or a case should be secured during transport with transport belts or other means ensuring mechanical stability.

## 8. MAINTENANCE

Mechanical maintenance may only be performed by the manufacturer's authorized service.

The device requires an inspection by an authorized service of the manufacturer at least every 10,000 work cycles.

In the event of a failure or interruption in operation due to damage to the device or any of its components, contact the authorized service of the manufacturer.

In the event of a blocked pin, use the supplied adjustable pliers.

INTERNATIONAL HOTLINE: +48 122 919 101



## CONTACT

---

ProDevice Spółka z ograniczoną odpowiedzialnością

ul. Kościuszki 1, 32-020 Wieliczka, Poland

tel. +48 122 919 101

e-mail: [info@pro-device.com](mailto:info@pro-device.com)

service: [support@pro-device.com](mailto:support@pro-device.com)

If you have an improvement idea or suggestion, write to [info@pro-device.com](mailto:info@pro-device.com)

[info@pro-device.com](mailto:info@pro-device.com)

[www.pro-device.com](http://www.pro-device.com)

## MANUFACTURER'S ADDRESS DETAILS

DISKUS Polska Spółka z ograniczoną odpowiedzialnością

ul. Kościuszki 1, 32-020 Wieliczka, Polska

service: [support@pro-device.com](mailto:support@pro-device.com)